

X-Ray Baggage Scanner

XS-XRBS-6040



Exclusive Spectrum 7-color Imaging Technology



Multiple Split-Screen and Full-Screen for Optimal Viewing



Auxiliary Explosives and Narcotics Detection Tools



More Than 30 Versatile Image Processing Functions



Advanced material classification (atomic number)



Unique Neoteric Double Symmetrical Swing Door

Application

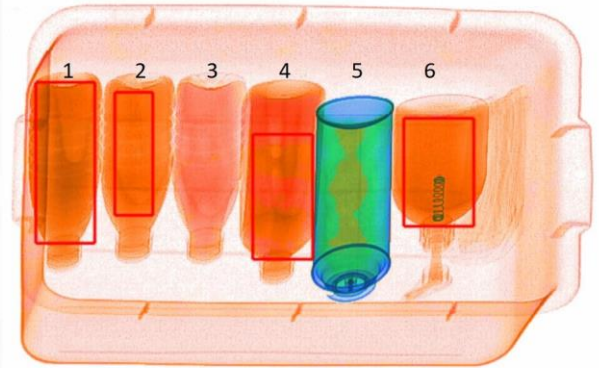
XTREME® Systems state-of-the-art high performance X-ray baggage scanner, solutions, and the services perfectly meet the most demanding potential threat inspection needs at border crossings, railway stations, shopping malls, hotels, government and military installations and high-risk facilities all over the world. It is the ideal for the small footprint sites.

Key Advantages

4 and 7-COLOR IMAGING & ASSISTANT EXPLOSIVE AND NARCOTICS DETECTION

The XS -SE6040C's innovative design with exclusive Safeagle® 7-color Imaging technology, advanced material classification enables operator to view screened objects in 7 colors, each color correlate to a specific range of atomic number.

Combine with the Zeff-scan function to auto-highlighting the potential threat of explosive and narcotic (liquid or solid) on x-ray image in real time during scanning process according to the characteristics range of explosives and narcotics atomic number(zeff7.8.9) , which help to identify the suspicious more effectively.



* 1-Water, 2-Alchoo, 3- Kerosene, 4-Edible Oil, 5-Liquefied Natural Gas, 6-Antibacterial Hand Gel

DUAL-ENERGY CLEAR IMAGING & SPLIT-SCREEN TECHNOLOGY



Dual-energy supports to identify then display the objects concealed in bag in the specific color according to their atomic number, the metallics (guns, bullet, knife) can be blue, the organic (plastic, cloth, currency) can be orange.

Safeagle® scanning screen supports multiple **Split-screen** and **Full-screen** options for optimal viewing, operator can customize the color mode of the switchable main screen and auxiliary screen respectively.

VERSATILE SOFTWARE WITH 30 IMAGING PROCESSING TOOLS

- With over 30 imaging processing tools and detection alert algorithm functions;
- Multiple access level account with different operation privileges according to the status hierarchy;
- Backed by a team of rich experts, support customized function modules according to clients' requirements;

HUMANIZED STRUCTURE WITH HIGH PROTECTION LEVEL

- Ledged rigid-steel structure and double layer leaded curtain to block x-ray dose;
- Equipped with double symmetrical swing door at its both sides for convenient repair and maintenance;
- Provided with system energized, X-Ray on indicators and emergency stop buttons at both ends of X-Ray tunnel;
- 4 high-strength caster wheels at its base for ease of maneuverability, enable operator to move the scanner easily;
- Offer adjustable wear-resistant foot cups to achieve stability and security during use;
- The shift knob and key switch are securely located on top of the scanner, one-key start and shutdown anytime.

Software Advantages

The **XTREME** software is to control the x-ray baggage scanner as well to acquire and process the x-ray image with different tools to find the potential threat, all the tools can be controlled by Xtreme® Exclusive Control Panel.

IMAGING PROCESSING TOOLS

- Switchable 4 and 7 Colors Mode
- Inverse Mode
- Gray
- Variable Gamma
- Organics & Inorganic & Mixture Striping
- Plus 6 kinds Pseudo Color Display
- Variable High & Low Penetration
- Log & Exp Trans
- Gaussian Blur& Sharpen
- Super & Partial Enhancement
- High & Low & Fusion Energy
- Density Threshold Alarm(DTA)
- Continuous Zoom(64X)
- Splicing-scan(S-scan)
- Continuous Scan(C-scan)
- Zeff-scan(Z-scan)
- AI Roller(optional)
- Reset Image
- Calibration

AUXILIARY FUNCTIONS

- Bidirectional Scanning
- Recall Historical Image
- Query & Backup & Mark Image
- Print Image
- Baggage Counter
- Day/Time Display
- Multi-language Operation
- Auto Image Archiving
- Storage Type:PNG, JPEG, BMP
- Start-up Self-diagnostics
- Real-time Image Manipulation
- Different Access Level Account
- Network Ready
- Secure Access Key
- Emergence Stop Button
- 1m Roller Table
- Interlock(optional)
- Threat Image Projection(TIP)(optional)
- Operator Training System (OTS)(optional)

Technical Parameters

GENERAL SPECIFICATION

- Tunnel Size: 624(W)x 429(H)mm [24.5x24.7 in.]
- Belt Speed: 0.23m/s (45ft/min) Bidirectional
- Conveyor Load: 165 kg(408 lb) Evenly Distributed
- Conveyor Height: 730mm(28.7 in.)
- Noise: <45DB

X-RAY GENERATOR

- Voltage: 160kV
- Wire Detectability:40 AWG
- Spatial Resolution:1.0 mm Horizontal, 1.0 mm Vertical
- Steel Penetration: 37 mm steel Typical
- Tube Current: 1 mA
- Cooling: Sealed Oil Bath with Forced Air
- Duty Cycle: 100%,No Warm-Up Procedure Required
- Beam Direction: Diagonally Upward
- Detector: L-Shaped Array
- Dual-energy: Yes

WORKING ENVIRONMENT

- Operating Temperature: 0° C- 40° C \ 32° F - 104° F
- Storage Temperature: -20° C- 60° C \ -4° F- 140° F
- Humidity: Up to 95% Non-Condensing
- Power Requirements: 220VAC±10%, 50/60Hz, 10A Max

COMPUTER

- Processor: Intel Pentium G4560
- Memory: 4 GB RAM
- Storage: 1TB SSD (standard)
- Platform: Windows®OS
- Display Type: Single 24" LCD Color Monitors
- Display Resolution: 1980 x 1080; 24 bit/Pixel Color
- Image Archiving: 2,00,000 images

HEALTH AND SAFETY

- Compliant with National Radiation Safety Standards for Cabinet X-Ray Systems.
- Typical Radiation leakage is less than 0.1 mR/hr(1.0 µSv/hr)
- Film Safety: Guarantee ISO 1600 (33 DIN)

Optional Functions(Additional cost)

➤ XTREME® Exclusive Control Panel

Integrated with Start-up System, Finger-print System, touch-pad, and E-stop Button. All software commands integrated into shortcut of this keyboard, realize one key control more than 2 functions, make the operation more convenient.

Part# XS -XR001



➤ AI Threat Detection

Adapt to wide range of X-ray screening system, auto-recognize contraband of gun, knives, etc. high accuracy & high recognition, easy to use.

Part# XS -AI



➤ 21.5" LCD Touch Screen

Clarity with touch: 21.5 inch Full HD touch screen, get a easier and faster operation. Resolution: 1920*1080

Part# XS -XR002



➤ Security Tray

- 1) Size: 680*520*110
- 2) Material: PP
- 3) N.W.: 1.665kg

Part#: XS-B002



➤ Built-in Multi-Angle Cameras (3+3)

6 built-in cameras in the protective covers Respectively, 3 on each side, one for baggage, one for passenger, Other for environment monitoring. Support data tracing via mobile phone. (PS: need one more monitor to display monitoring screen.)

Part# XS -XR003



➤ Supervisor Monitor Platform(Console)

Operator working station to put the monitor and keyboard. With cabinet to lock the keyboard. Equipped with Start System, Emergency Stop, wheels for quick portability.

Part# XS -XR004



➤ Intelligentized(AI) Roller

Belt rolling only when the IR be triggered, or it remains static, which is energy-saving and helps to extend machine lifetime.

Part# XS -XR006



➤ Superior Roller Tables

The rollerbeds are all made of 304# superior stainless steel, mounted on both exit and entrance platform to transmit the baggage easily. Adjust freely according to the height of machine. Length: 0.5 m increment

Part# XS -XR007



➤ Voltage Stabilizer

Filter out the unstable current voltage crest value, stable output with rated current voltage, to protect device.

Part# XS -XR008



➤ Uninterrupted Power Supply

For Computer: 20 min
For Machine: 2 hours
For Data protection when electricity cut off.

Part# XS -XR009



➤ UV Disinfection Solution

Embedded the UV light at both exit and entry covers inside left, right and top to eliminate bacteria and viruses on the surface of the scanning parcels and inspection tunnel.

-- UVC: 270-280nm

Part# XS -XR010



➤ Power-driven Conveyor

The conveyor will be mounted on both exit or entry for transportation, the direction of rotation can be same as the x-ray baggage scanner.

Part# XS -XR011



Certificate and Standard



- * US. FDA: Title [21, CFR, Part 1020.40]
- * CE Compliance: Directive 2014/30/EU Electromagnetic Compatibility The Machinery Directive 2006/42/EC LVD Directive 2014/35/EU
- * RoHS: (EU) 2017/2102
- * FCC Compliance Part 15 B Rules
- * Film Safety: Up to ISO 1600(33 DIN)
- * Radiation Safety Certificate
- * ISO9001 Quality Management System

• **RADIATION SAFETY CERTIFICATE**

XTREME® Systems comply with all applicable international health and safety regulations including USA FDA X-ray systems (Federal Standard 2.1-CFR 1020.40), Ministry Security and Radiation Safety Certificate by Human Settlement and Environment Commission of Shenzhen Municipality. The x-ray leakage is lower than the limit of 1.0 μ Sv/hr(100 μ R/hr) at all panels and ports measured at the distance of 5cm. The external radiation emission of U.S. Federal Limit is 5 μ Sv/hr.



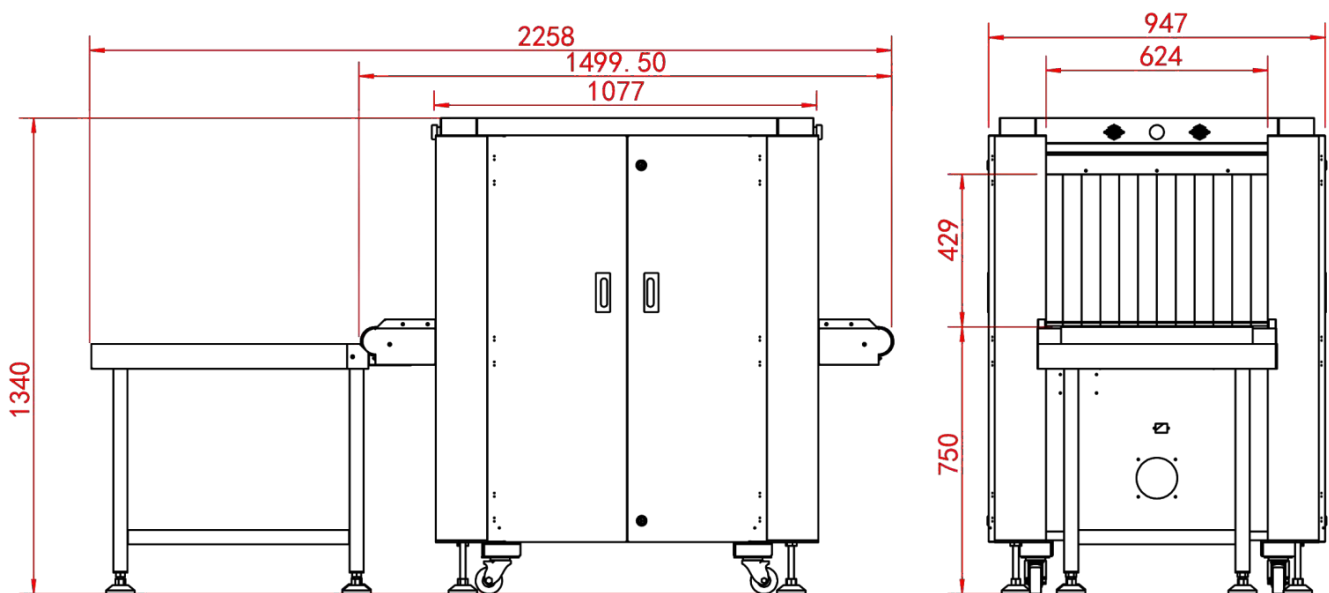
Warranty and Service

➤ Warranty

- 2 years warranty for Basic Spare Parts, 1 year for Critical Spare Parts in free after delivery (Non-artificial damage);
- Replacement parts and shipping cost at Xtreme®'s expense;
- Software upgrade included;
- An extended warranty is available;
- The warranty shall take effect seven days after receipt of the goods.

➤ Service

- **Free Factory Training**, included technical training, operator training;
- **Remote Control**, all Xtreme® System embedded with Wireless LAN, can remote support any time;
- **On-site Support**, the engineer is allowed to send oversea to give professional technical support;
- **24-hours Online Service**, technical personnel will be assigned to solve your problem immediately after receiving telephone and hear feedback idea of users and deal with them in time;
- **Support OEM service.**



* Dimensions are in millimeter.



Xtreme Security & Technologies

Headquarters:

Web: www.xs-technologies.com

Email: info@xs-technologies.com

*To continuously improve our product, Xtreme® reserves the rights to change the design and the specifications without prior notice.

©Xtreme®. All rights reserved.